

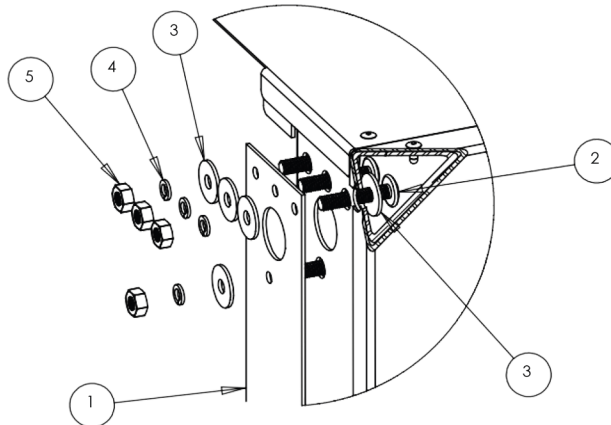
WALL MOUNTED VENT HOOD SPACER

Description	VH36-2	VH42-2	VH48-2	VH60-2
1/2" Mounting plate	VH36-2-SPT	VH42-2-SPT	VH48-2-SPT	VH60-2-SPT
4" Vent Hood Spacer	VH36-2-SP4	VH42-2-SP4	VH48-2-SP4	VH60-2-SP4
8" Vent Hood Spacer	VH36-2-SP8	VH42-2-SP8	VH48-2-SP8	VH60-2-SP8

SPECIFICALLY DESIGNED FOR VENT HOOD MODELS: VH36-2 / VH42-2 / VH48-2 / VH60-2

Read and follow all instructions. The wall-mounted spacers must be secured into multiple wall studs using proper hardware to ensure sufficient load support. Metal framework will require additional wall studs and screws for support. Installation must be done by a qualified professional installer. Please review and understand this section prior to proceeding with installation.

After the wall mounted spacer is secured into its permanent location, untighten and remove all hex nuts from the mounting hex cap screws. All mounting hardware are pre-installed with the spacer. Ensure that the filler plates remain intact (see figure below).



Attach the vent hood directly into the spacer through the mounting holes located on the rear hood cover plate. Fasten and tighten all hex nuts. Reference the parts list below to identify the hardware included with your wall mount spacer.

Item	Description	QTY
1	Filler Plate Spacer	2
2	1/4-20x1 1/8" Hex Head Screw, 18-8 SST	12
3	M6 ID, 1.4 mm Thickness, 18-8 SST Washer	12
4	M6 ID 18-8 SST, Split Lock Washer	12
5	1/4-20 Hex Nut, 18-8 SST	12
**	Instruction Sheet	1