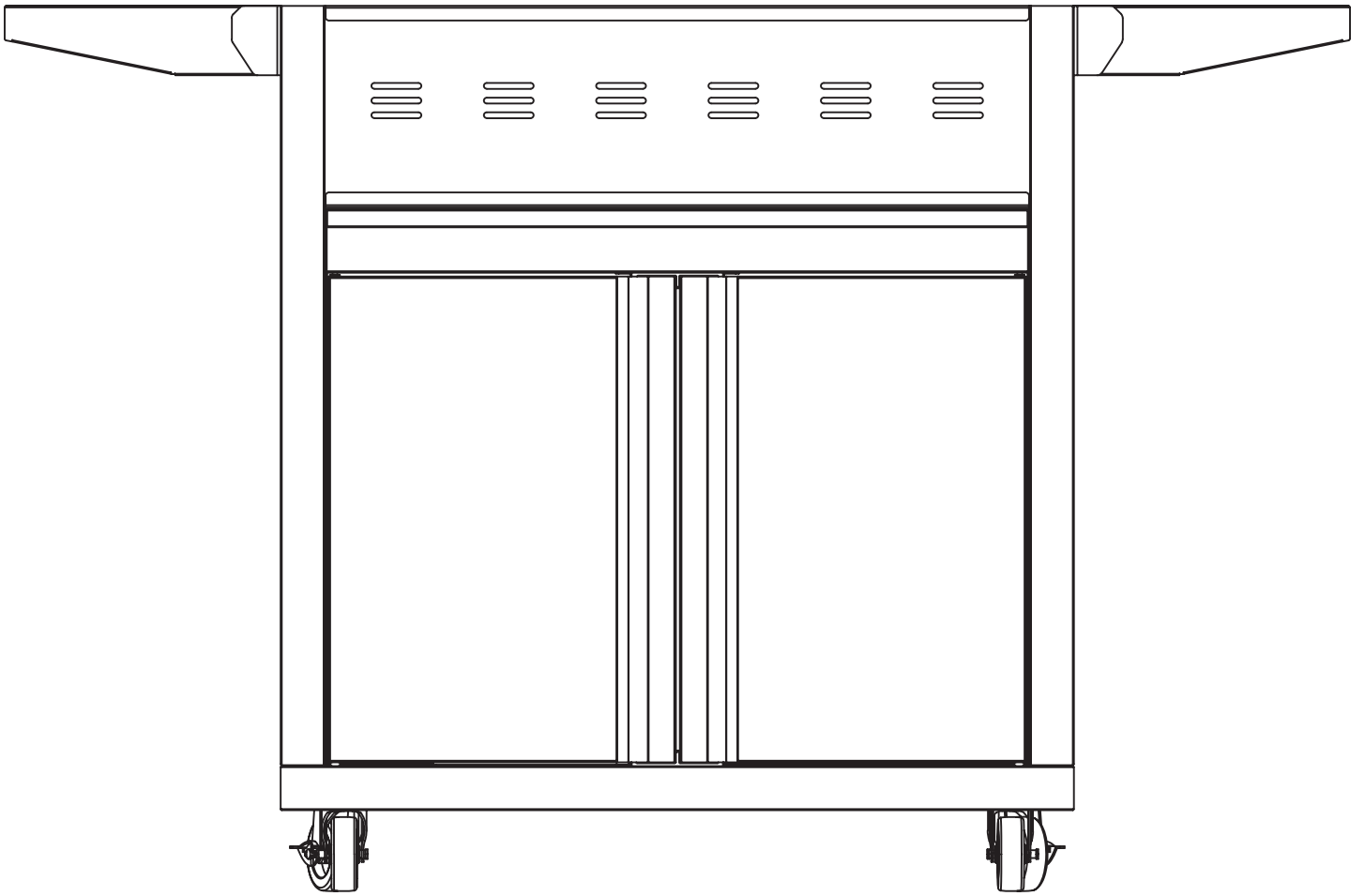
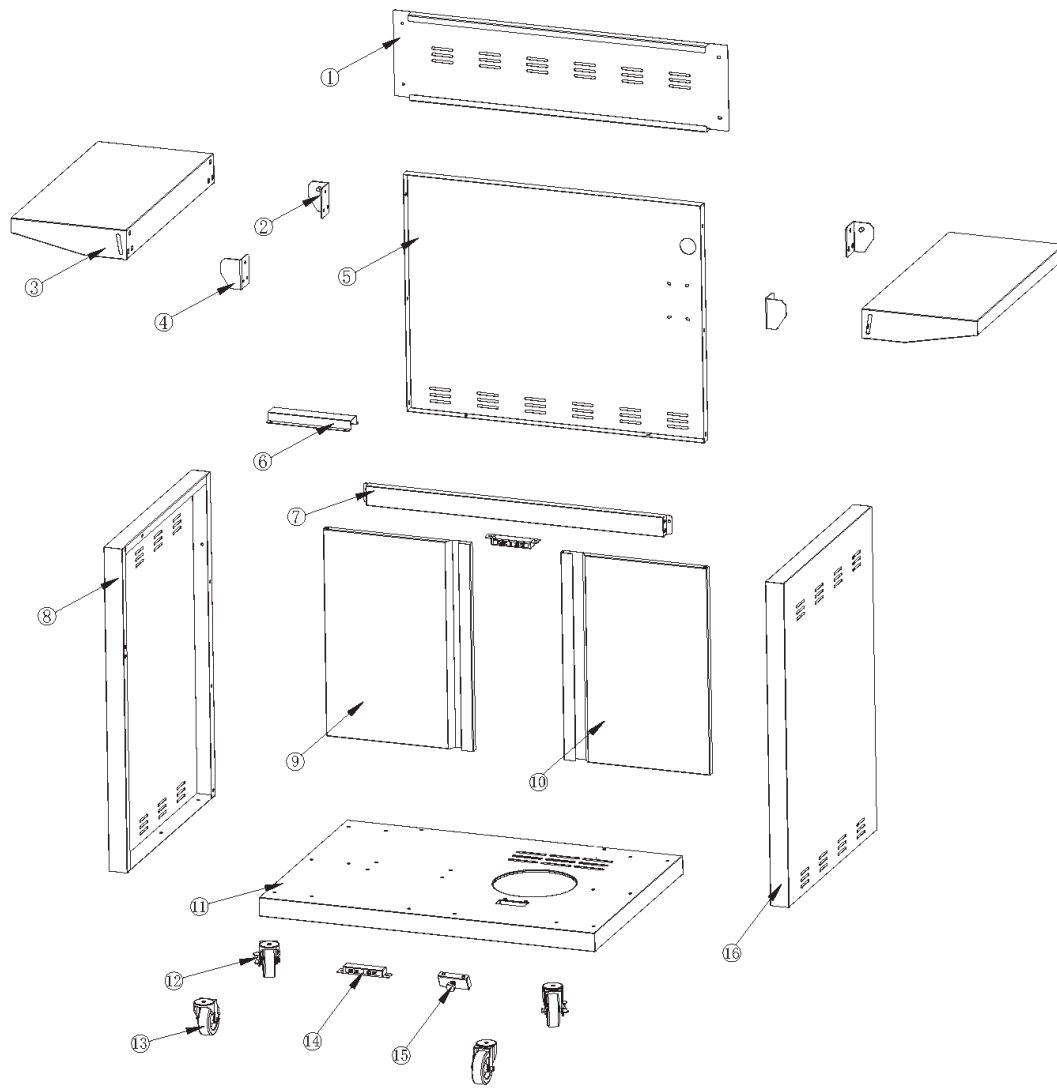

30" GRIDDLE GRILL CART
USER MANUAL

Thank you for purchasing a deluxe griddle grill cart! Our premium grill carts offer an alternative solution to outdoor dining. Durable and sleek, these stainless steel carts feature magnetic-latched doors, propane tank storage, and collapsible shelving. Use this guide to set up your cart and make sure to use two people to ensure a safe install.



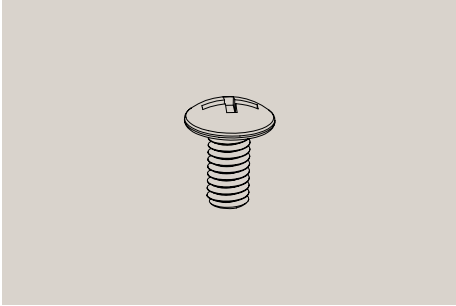
CART-GRID30

PARTS LIST

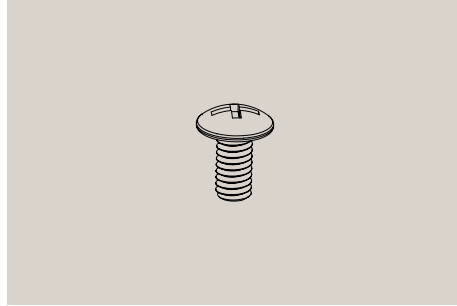


- | | |
|-----------------------------|---------------------------|
| 1. Cart Rear Beam | 10. Right Door |
| 2. Side Shelf Rear Bracket | 11. Bottom Panel |
| 3. Side Shelf | 12. Caster With Locks |
| 4. Side Shelf Front Bracket | 13. Caster Without Locks |
| 5. Cart Rear Lower Panel | 14. Magnet Assembly |
| 6. U Mounting Panel | 15. Cylinder Lock Down |
| 7. Cart Front Beam | 16. Cart Right Side Panel |
| 8. Cart Left Side Panel | |
| 9. Left Door | |

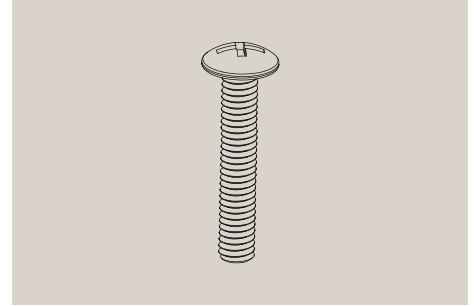
HARDWARE PACK



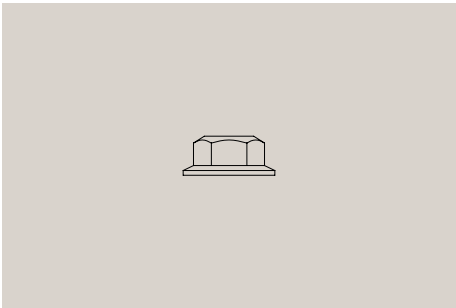
A: M6x12 Bolt (16 PCS)



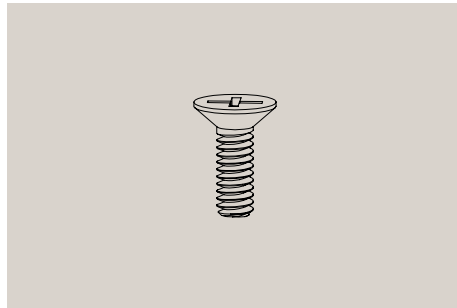
B: M5x10 Bolt (32 PCS)



C: M5x30 Bolt (2 PCS)



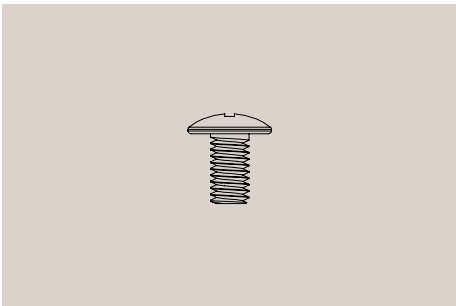
D: M4 Nut (4 PCS)



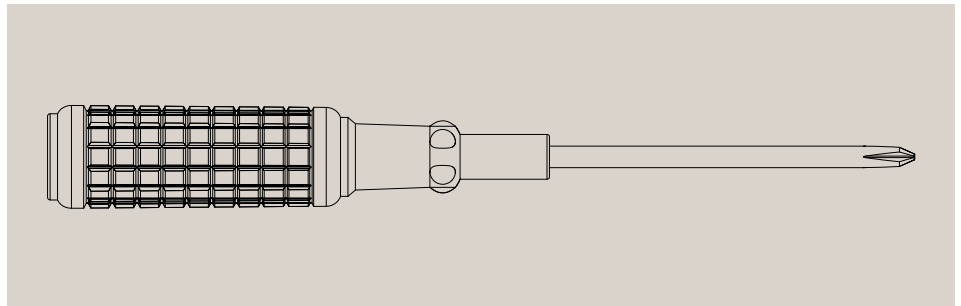
E: M6x12 Countersunk
Screw (12 PCS)



F: M4x6 Bolt (4 PCS)



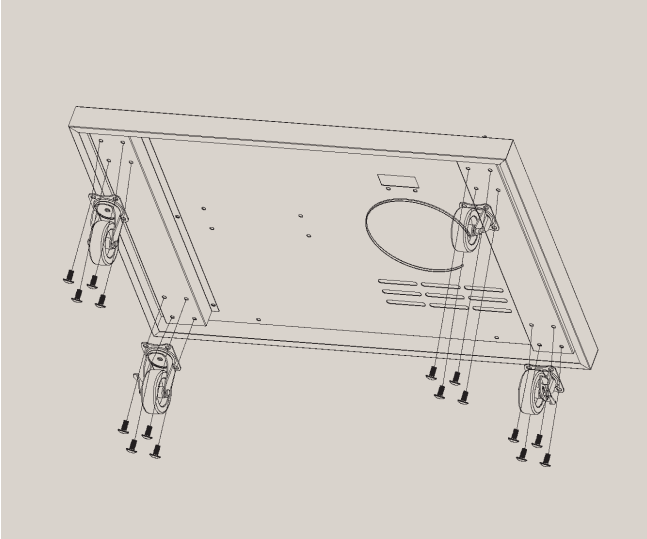
G: M4x12 Bolt (4 PCS)



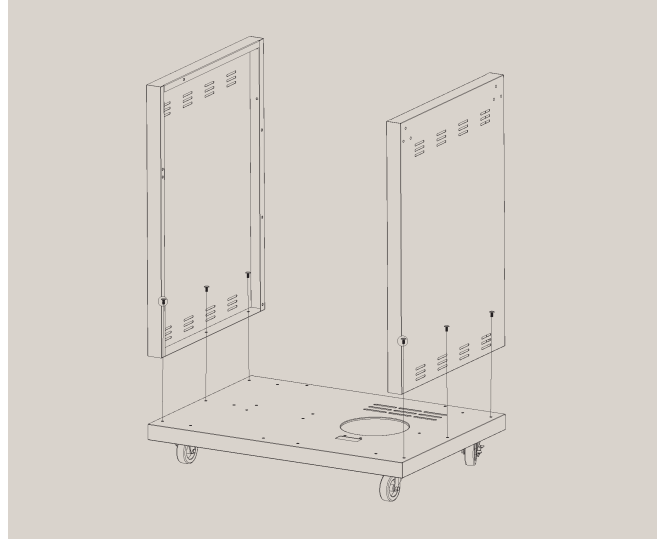
H: Screwdriver (1PC)

INSTRUCTIONS

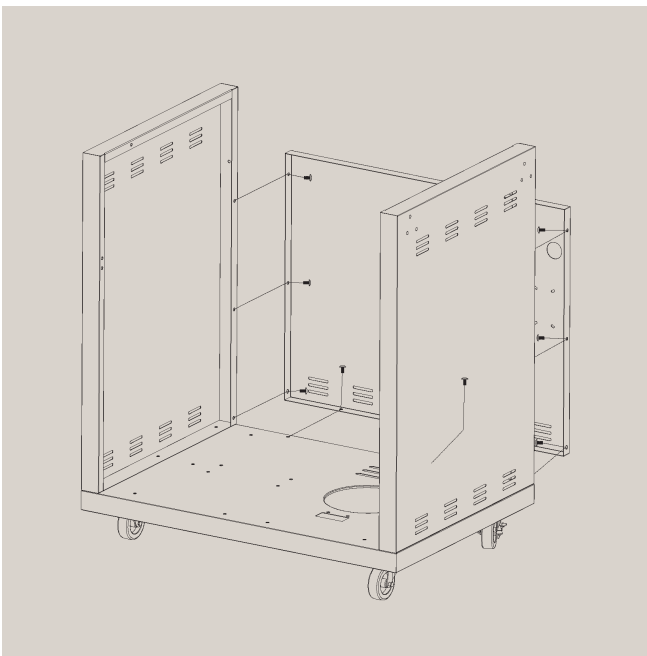
1. Use M6*12 bolt (16pcs) to install the casters (12) with lock and casters (13) without lock to the bottom panel.



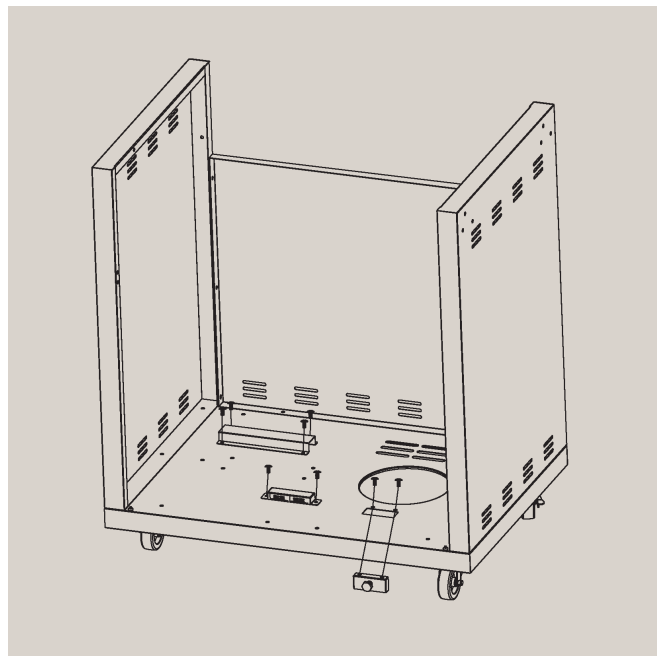
2. Use M5*10 bolt (6pcs) to install the left side panel (8) and right side panel (16) to the bottom panel.



3. Use M5*10 bolt (8pcs) to assemble the cart rear lower panel (5) with the left side panel (8), right side panel (16) and bottom panel (11).

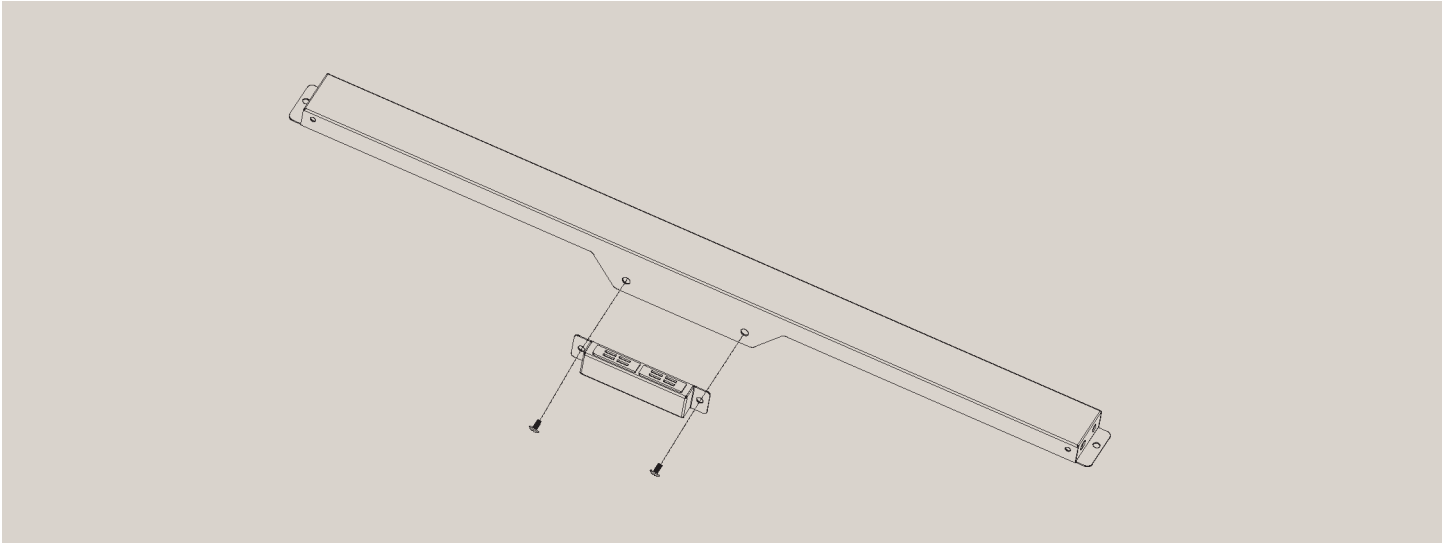


4. Use M5*10 bolt (8pcs) to assemble the U mounting panel (6), magnet assembly (14) and cylinder lock down (15) with the bottom panel (11).

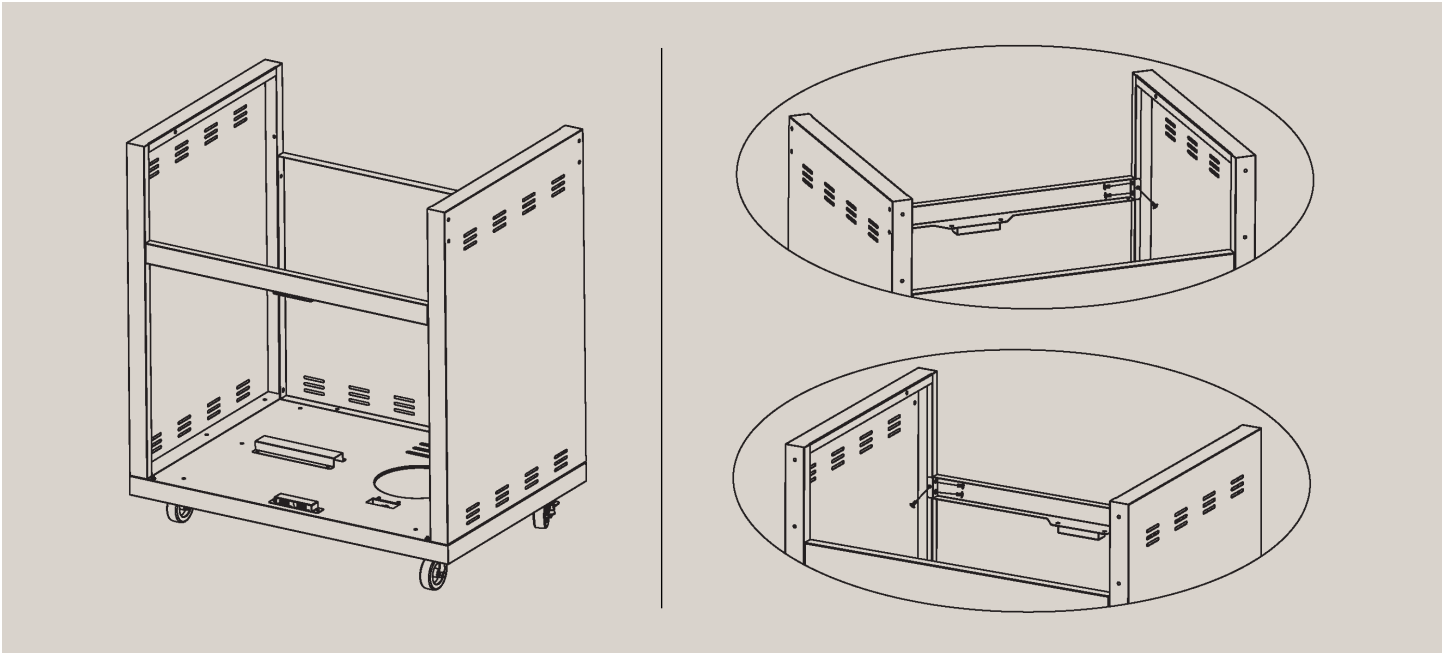


INSTRUCTIONS

5. Use M5*12 bolt (2pcs) to install the magnet assembly to the cart front beam (7).

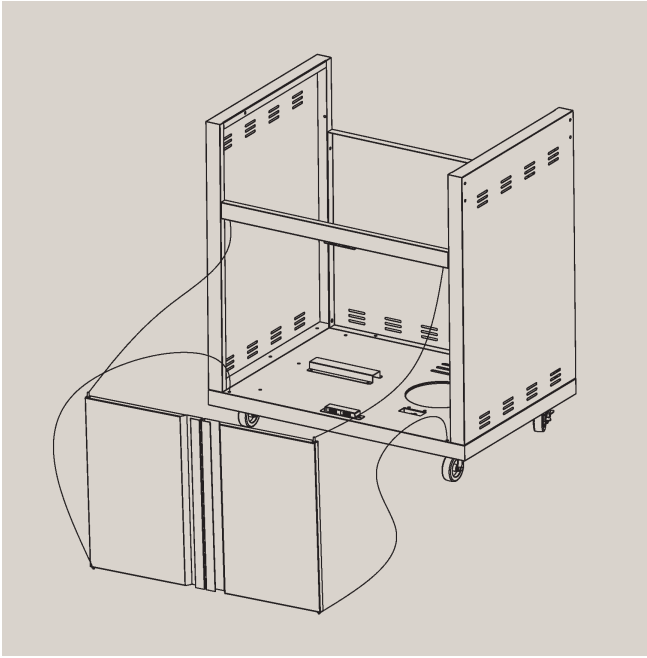


6. Use M5*10 bolts (6pcs) to lock the beam to the cart side panels. (As is shown)

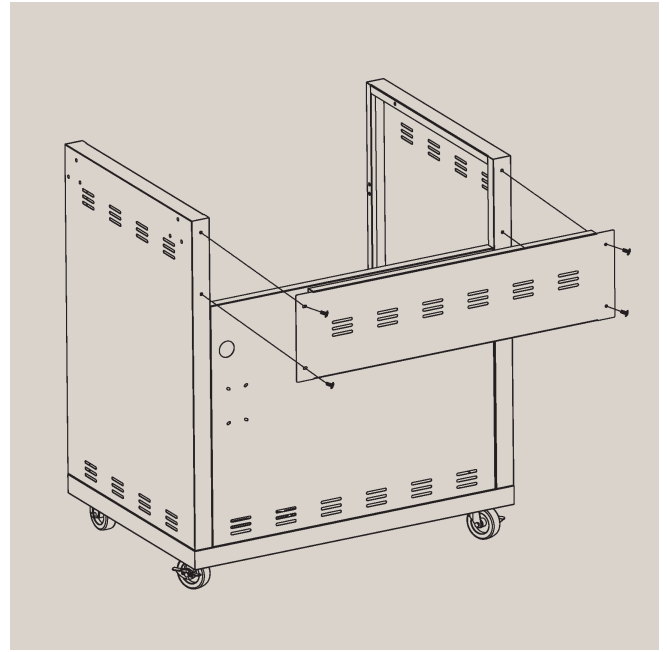


INSTRUCTIONS

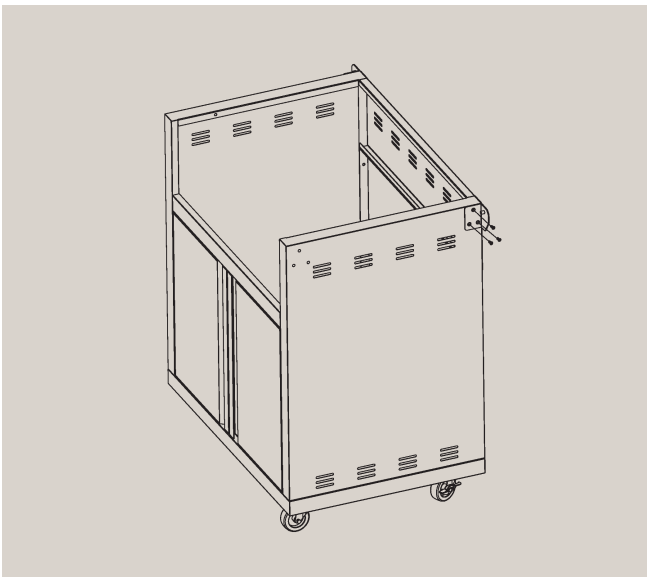
7. Place the left (5) and right (6) doors on the bottom panel (8), inserting door lower pins into the holes on either side of the bottom panel, then inset the door upper pins into the beam holes.



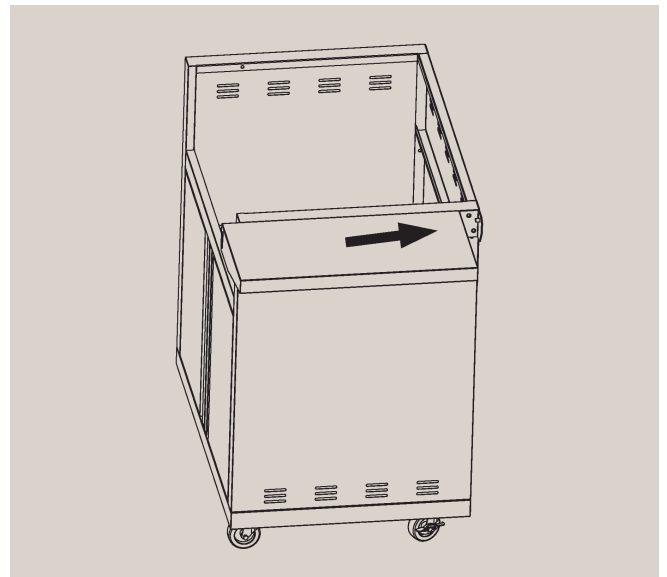
8. Use M5*10 bolts (4pcs) to assemble the cart rear beam (1) with cart left (8) and right (16) side panels.



9. Use M6*12 countersunk screws (3pcs) to lock the side shelf rear bracket (2) to the right side panel.



10. Install the side shelf to the rear bracket, as shown above.

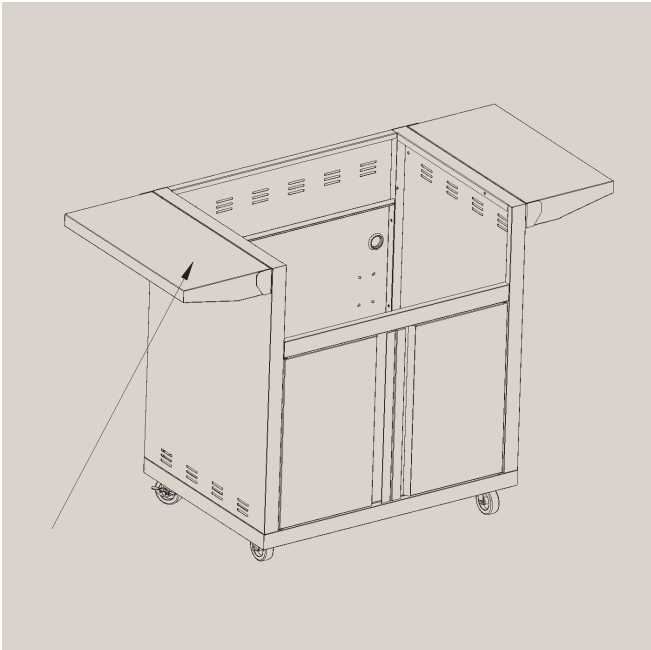


INSTRUCTIONS

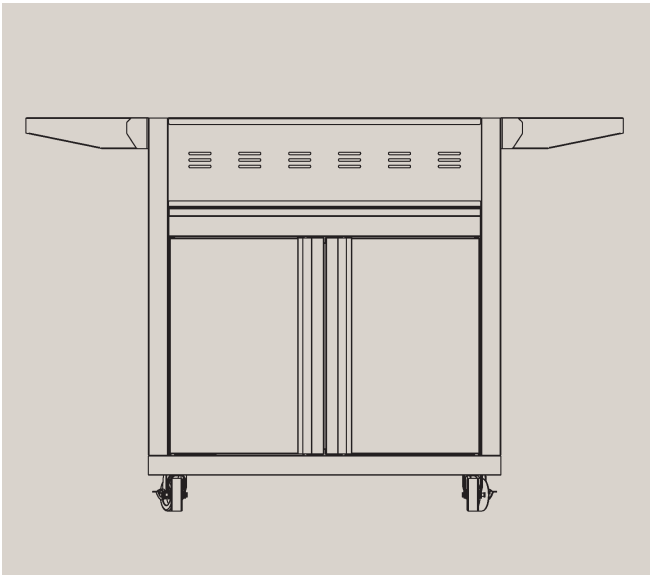
11. Then install the side shelf to the front bracket, and lock the front bracket with M6*12 screws.



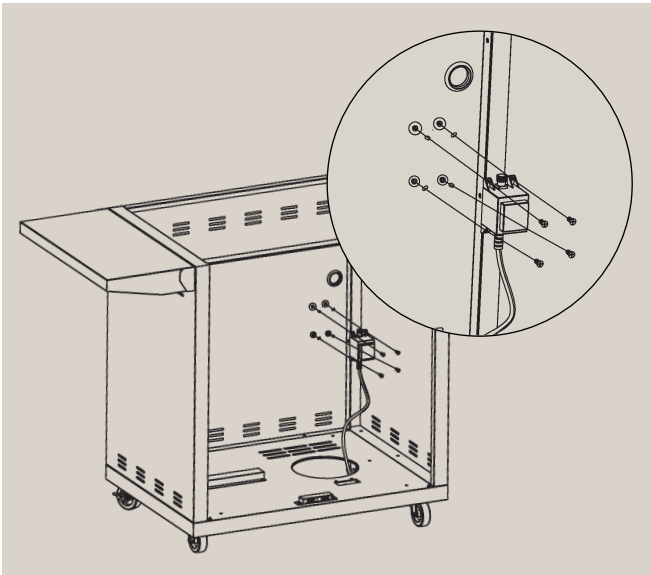
12. Assemble another side shelf and brackets by the same steps as above.



13. The cart assembly is complete

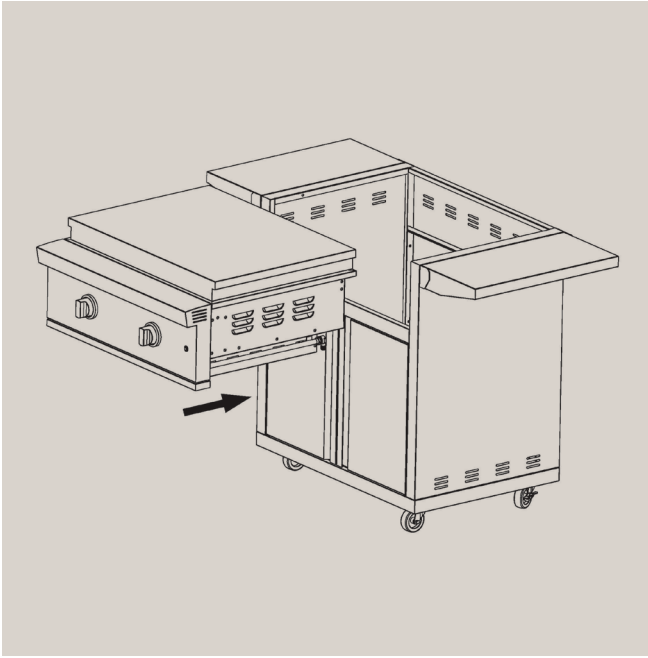


14. Use M4*12 (4pcs) and M4 flange nuts (4pcs) to install the transformer to the rear lower panel



INSTRUCTIONS

15. Place the grill onto the cart.



16. Use M5*30 (2pcs) to lock the grill to the cart as shown above.



**FOR WARRANTY INFORMATION, SEE THE 30”
GRIDDLE GRILL MANUAL.**

THIS PAGE INTENTIONALLY LEFT BLANK

THIS PAGE INTENTIONALLY LEFT BLANK

